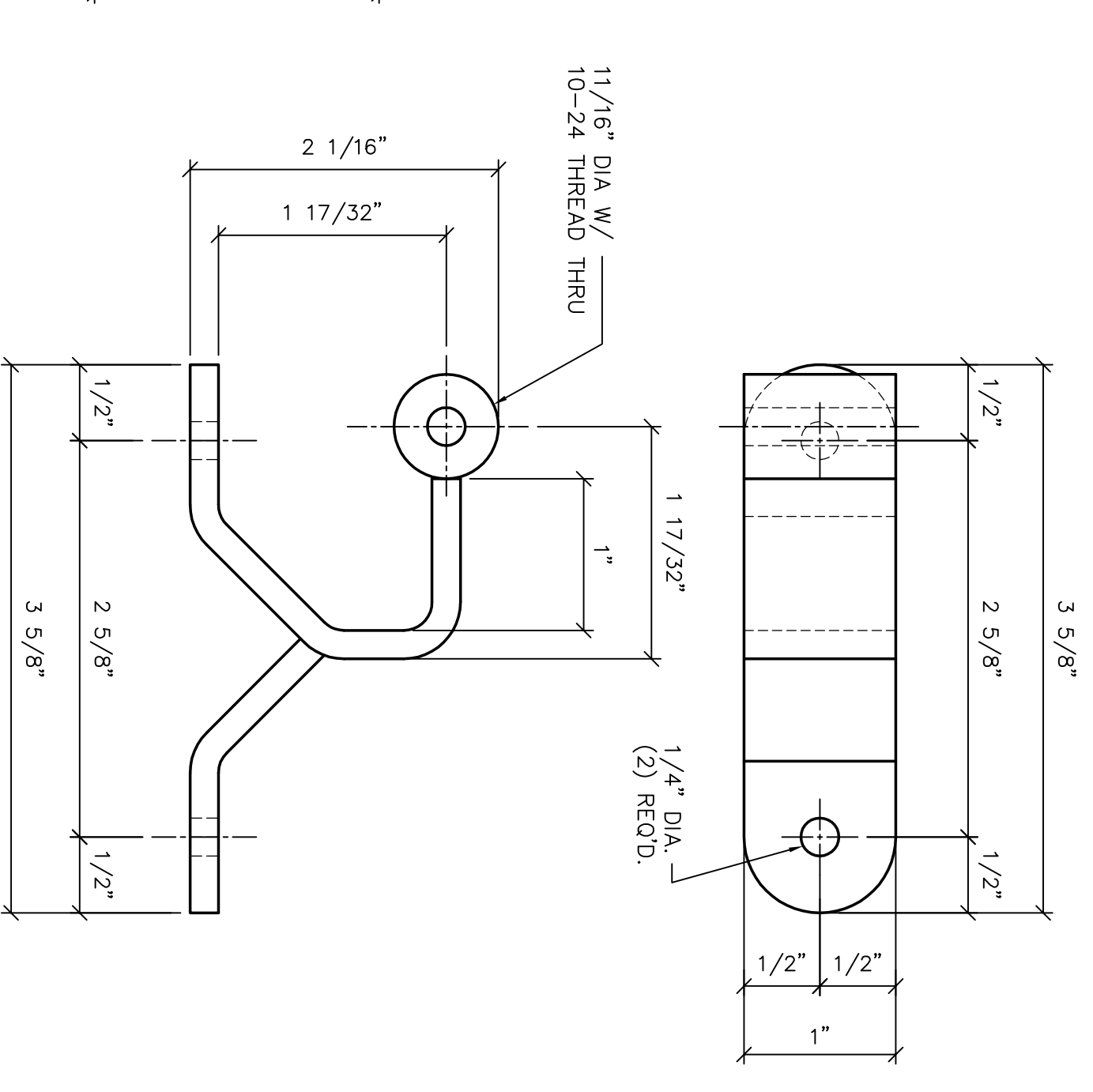
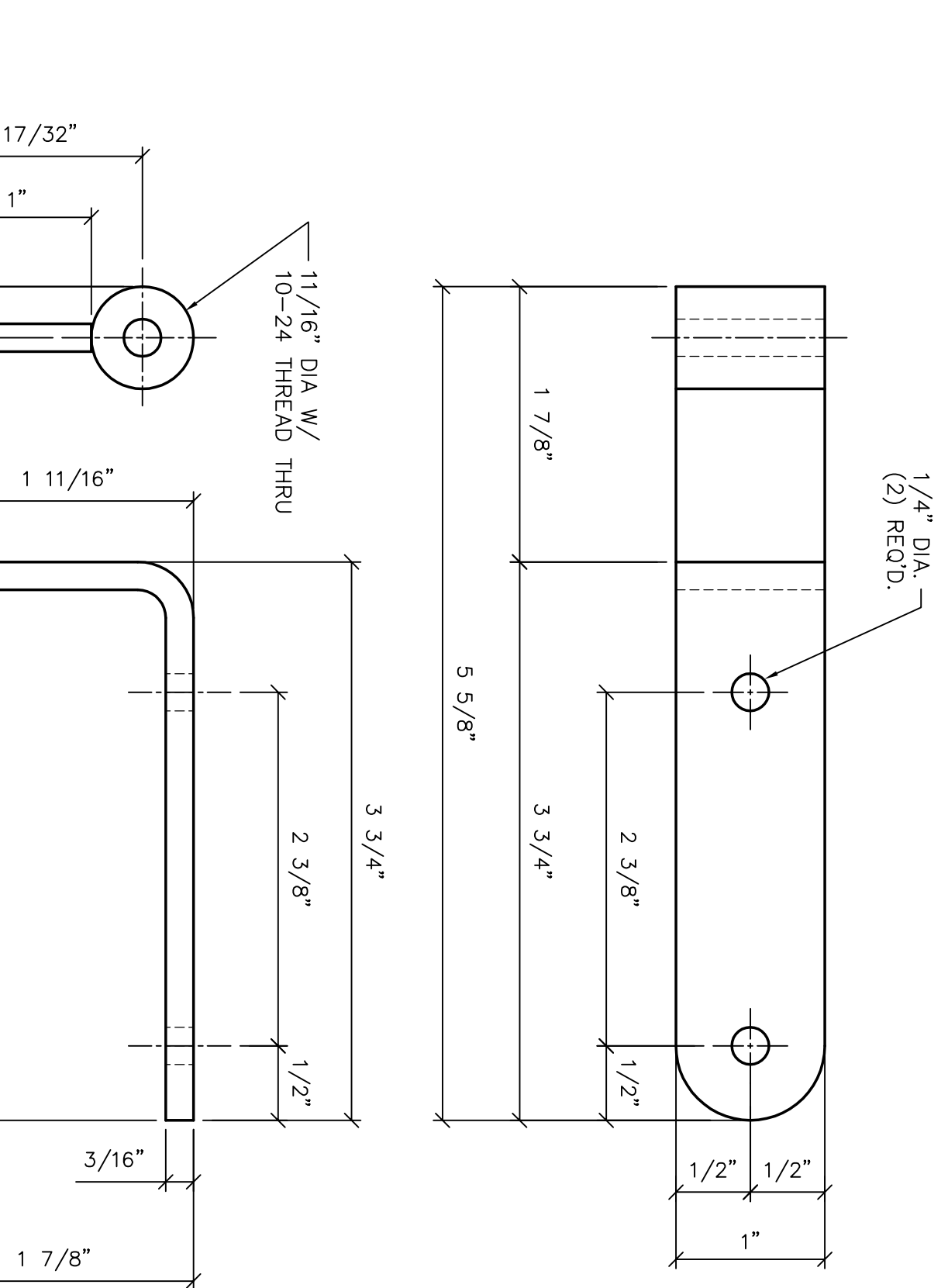
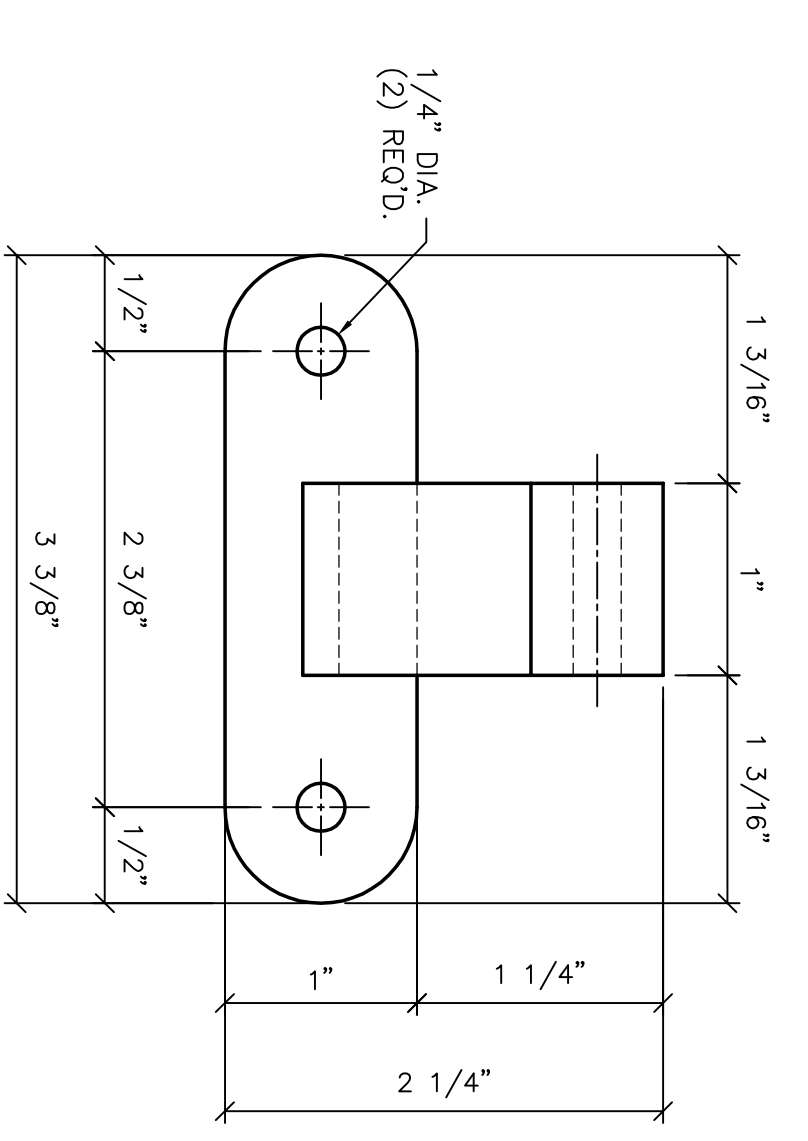
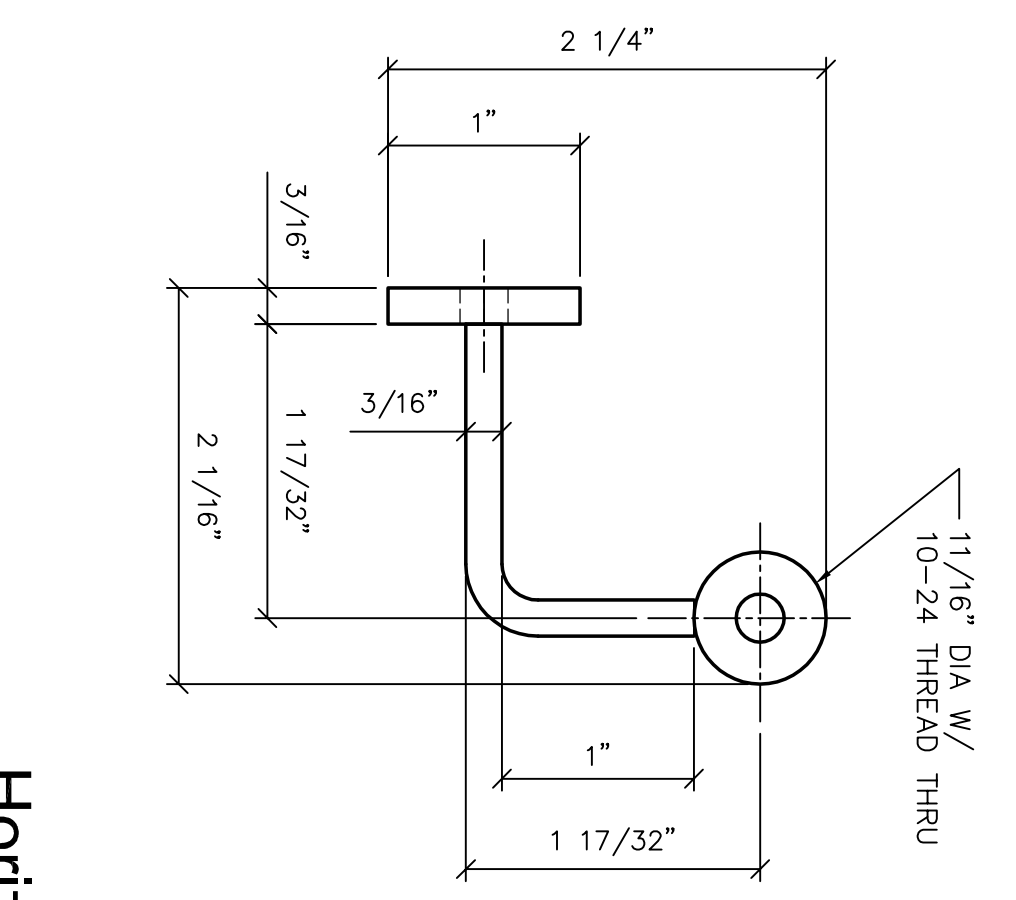
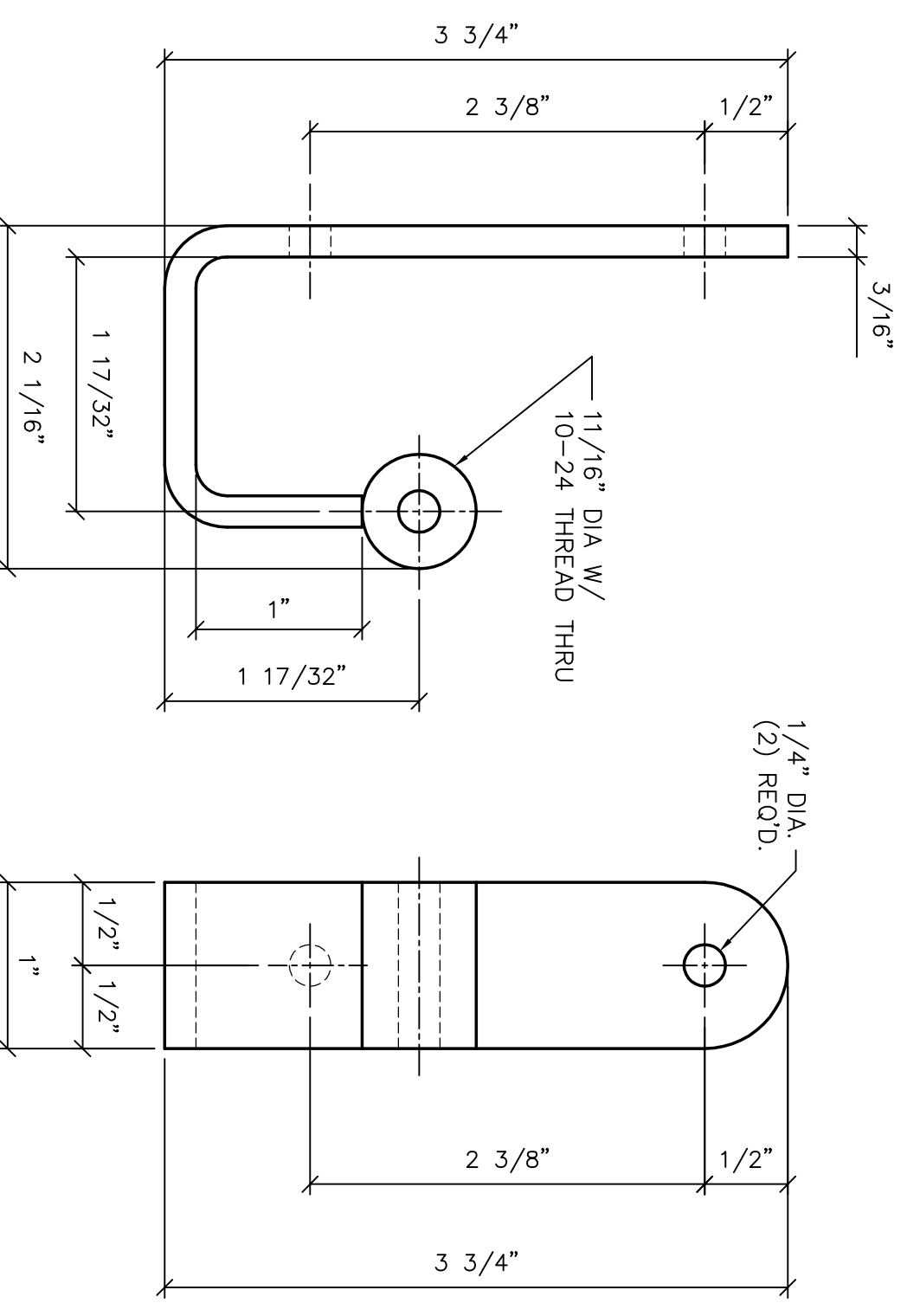


Hook Type Library Ladder



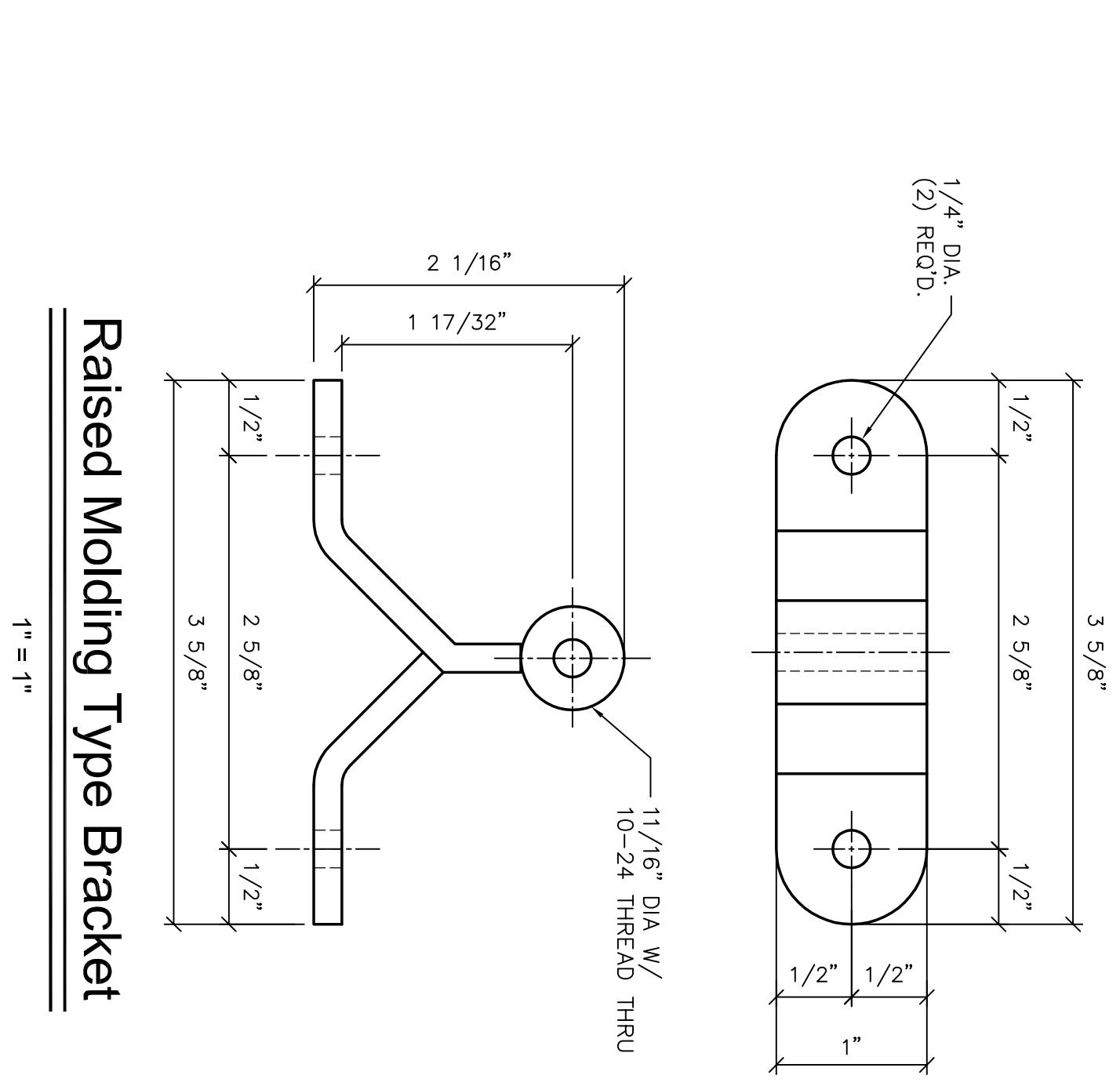
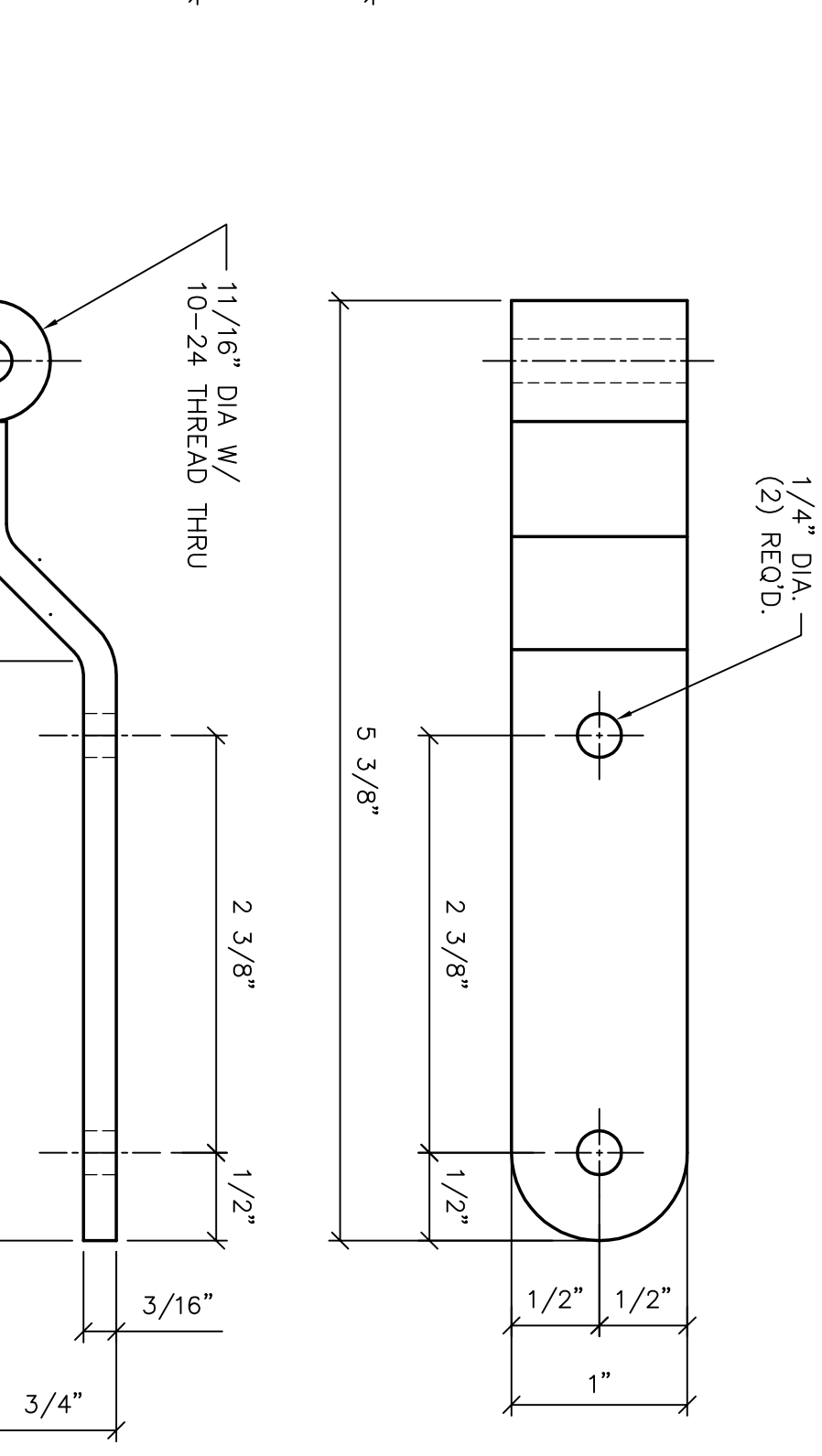
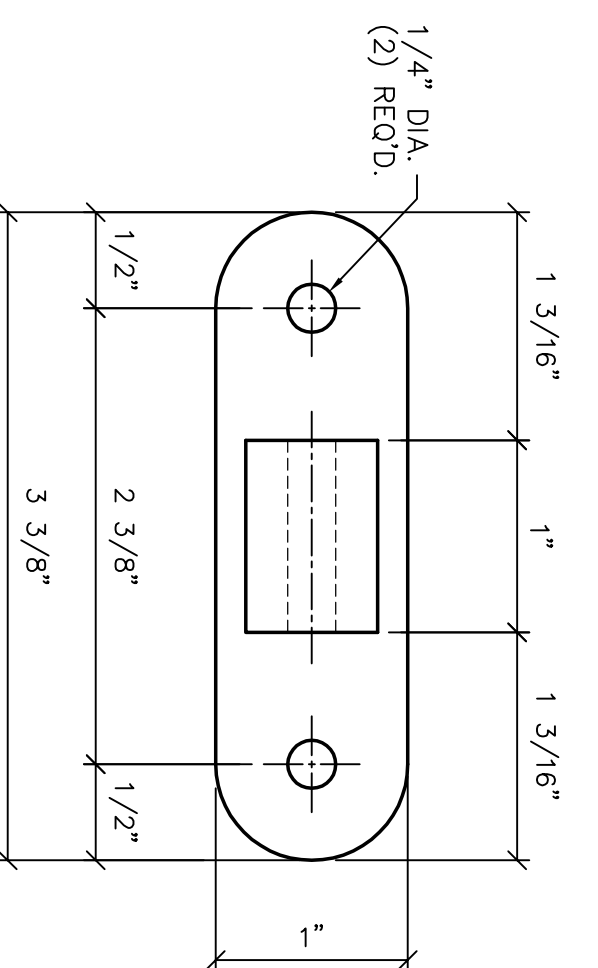
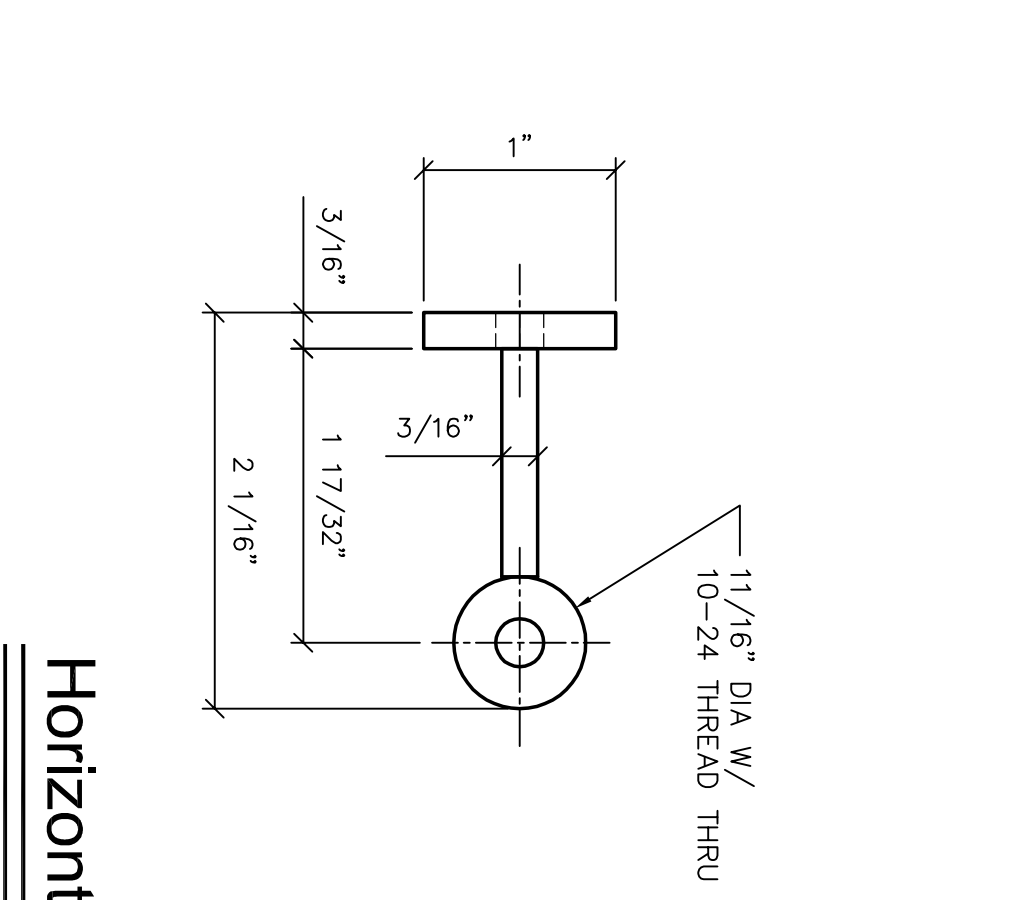
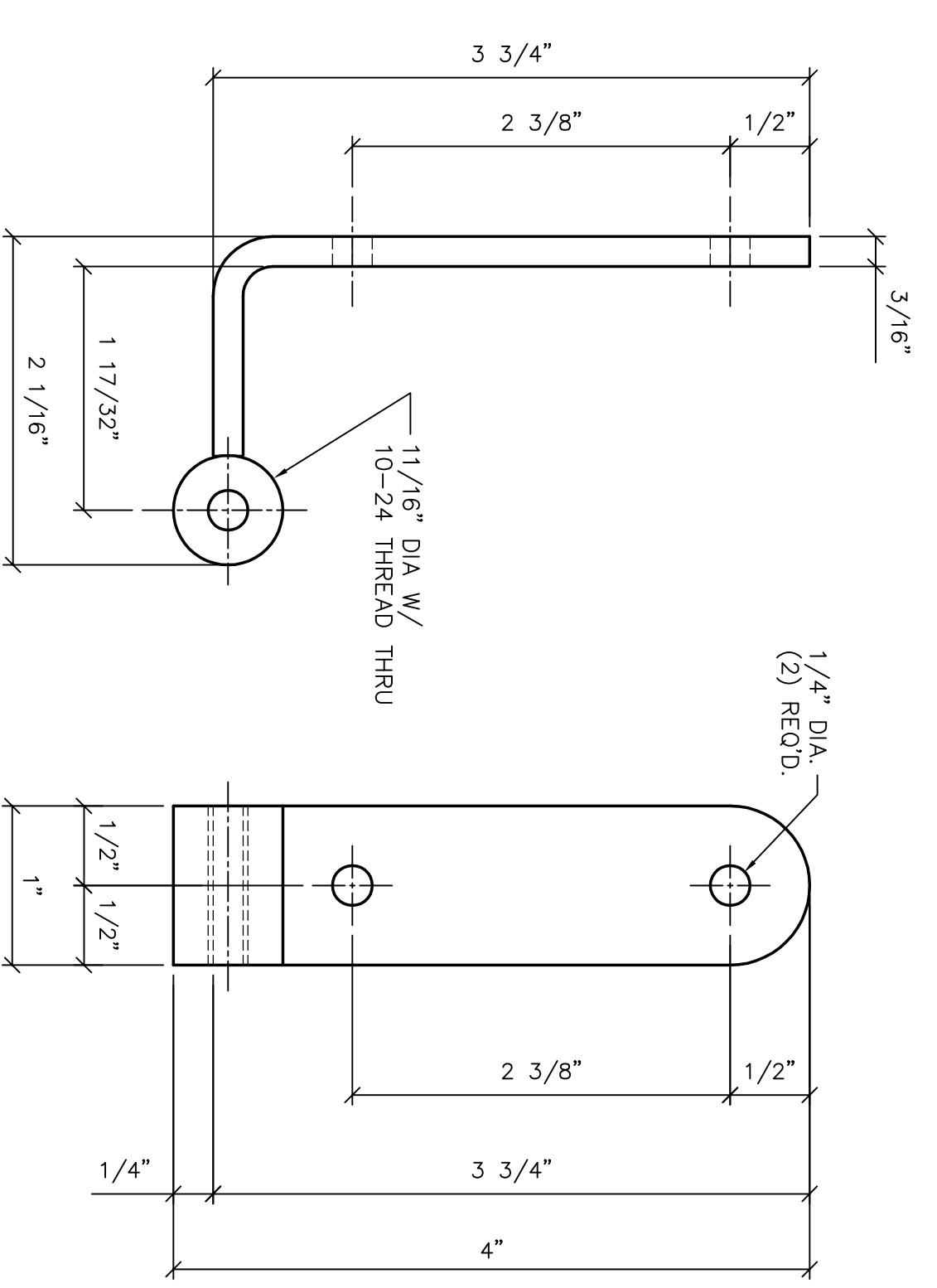
Vertical Type Bracket

Horizontal Type Bracket

Shelf Type Bracket

Raised Molding Type Bracket

Roll Type Library Ladder



Vertical Type Bracket

Horizontal Type Bracket

Shelf Type Bracket

Raised Molding Type Bracket

1" = 1"

1" = 1"

1" = 1"

1" = 1"

NOTES:

1. DUE TO PRODUCTION RUNS, DIMENSIONS MAY VARY SLIGHTLY.

REV#	DESCRIPTION	DRAWN	CHECKED	SCALE	DATE
1	Hook & Roll Type Library Ladder Track Supports	DEG	8/29/08	NOTED	

CUSTOMER: **SPIRAL STAIRS OF AMERICA**
 ERIE, PENNSYLVANIA
 (814) 898-3700 FAX: (814) 899-9139

